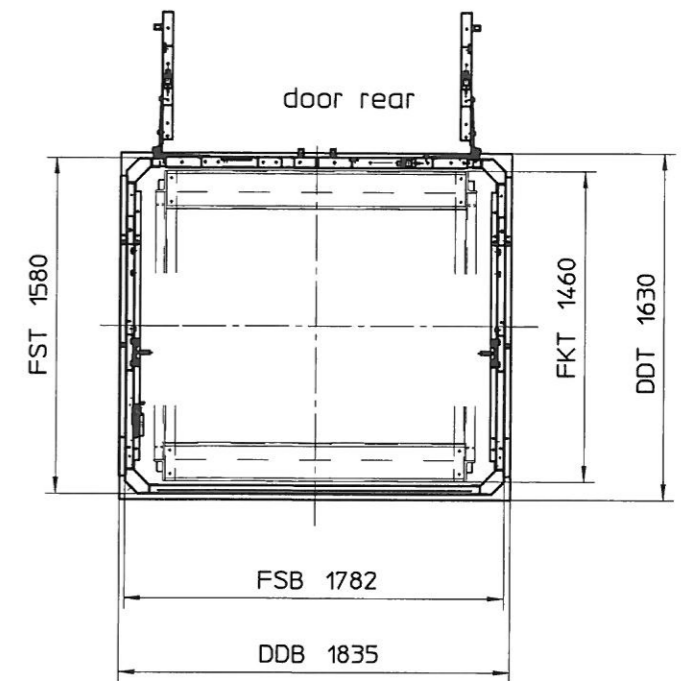
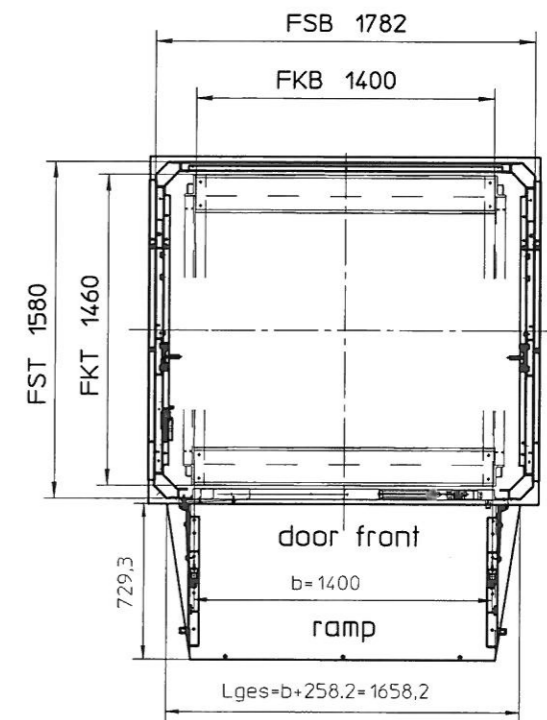


sectionaldrawing
second floor



sectionaldrawing
groundfloor




We reserve all rights in this technical drawing.
It shall not, in whole or in part, be copied or reproduced
or otherwise made available to third parties, especially to
our competitors. Any person who does any unauthorized
act in relation to this drawing may be liable to civil
claims for damages or criminal prosecution.
Gebhardt Fördertechnik GmbH,
74889 Sinsheim
Germany


The East Anglian Lift Co Ltd
Slate House Farm
27 Halls Corner Lane
Hevingham
NORWICH
NR10 5NQ
Tel: 01603 755680
www.ealifts.co.uk

date of approval:
name :
signature:

color door, cladding, car RAL 5017
color frame RAL 7043

Projekt: 2110095 Typ: 146.03		Allgemeintoleranz DIN 7168 mittel		Mappe: 00.72.71.35 : 0083.917.00.00		
Alle ZNR: ..				GMS		
		Datum	Name	Güteraufzug mit 2 Haltestellen Layout		
		Begrb.	08.11.2011			rudiste
		Gepr.				
		Norm.				
				GEBHARDT FÖRDERTECHNIK GmbH 74889 Sinsheim		
Zust.	Anderung	Datum	Name	Urspr. 00.72.05.12	S-00.00.72.71.36 1:25	
				Ers. f.:	Ers. d.:	